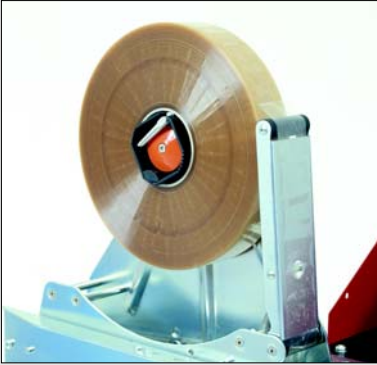
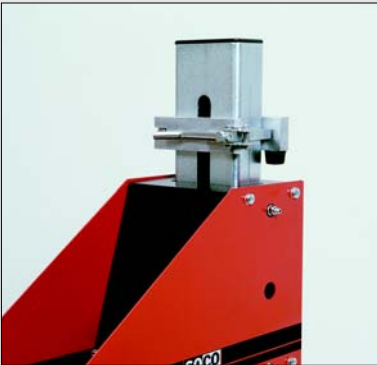


# Top and Bottom Sealing with Automatic Adjustment for Carton Size

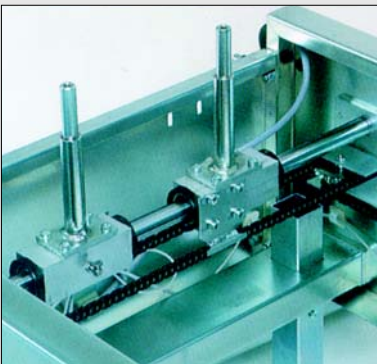
**T-55**  
For Random  
Cartons



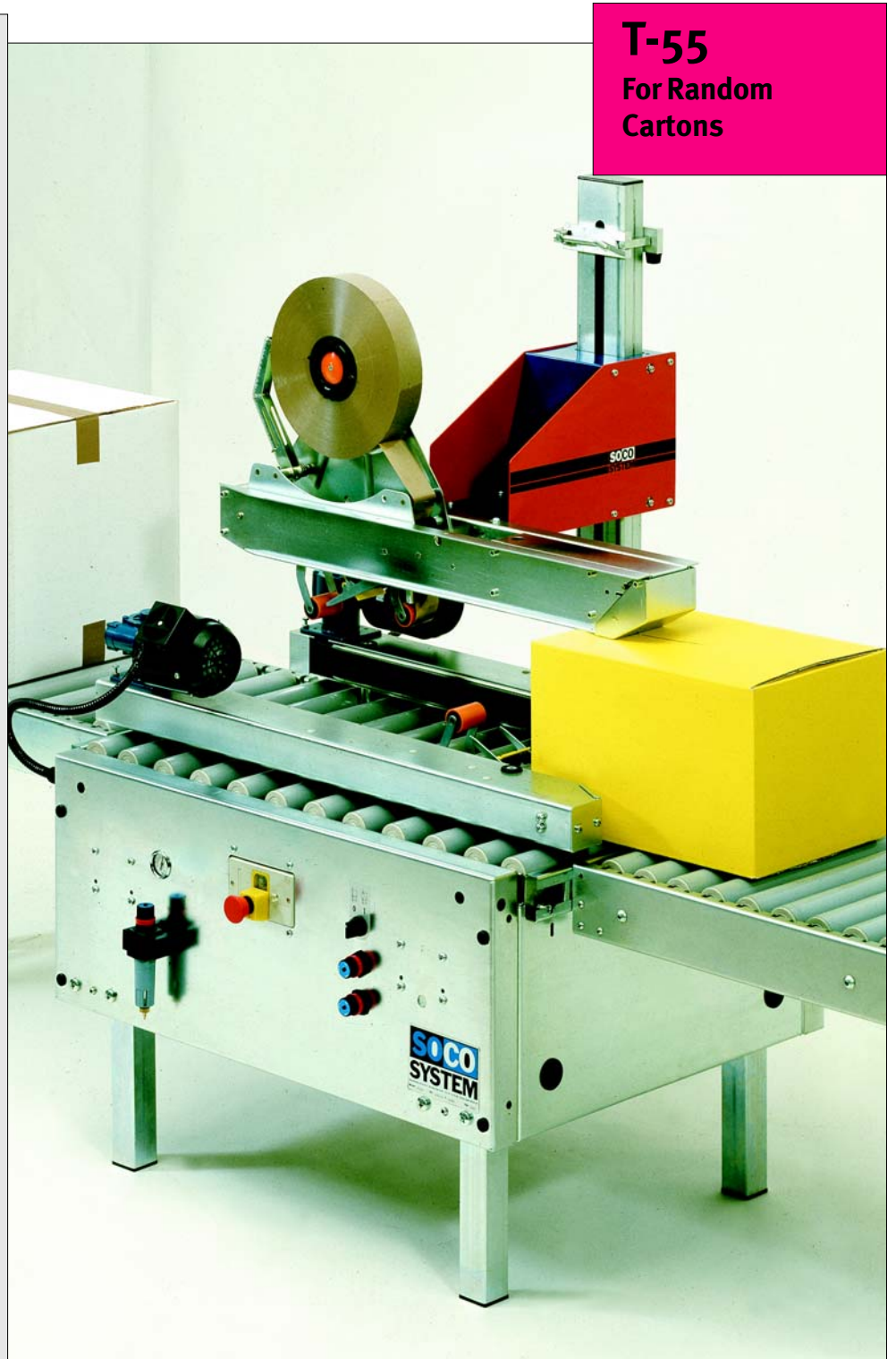
High quality tape dispensers



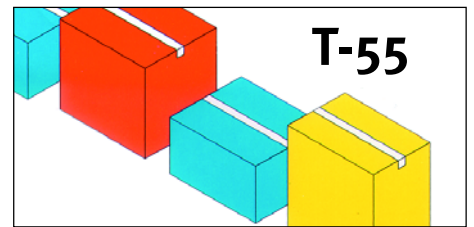
Pillar stop for maximum efficiency



Parallel guiding system for reliable operation



# Fully automatic adjustment of width and height. Easy and safe operation. Designed for the closing of random carton sizes.



## Basic models

The T-55 and the T-55 Maxi. Both models are available with high pillars for extra high cartons. The modular principle of all SOCO SYSTEM products provides a range of models tailored to satisfy customer's individual requirements.

## Flexible Pack Stations

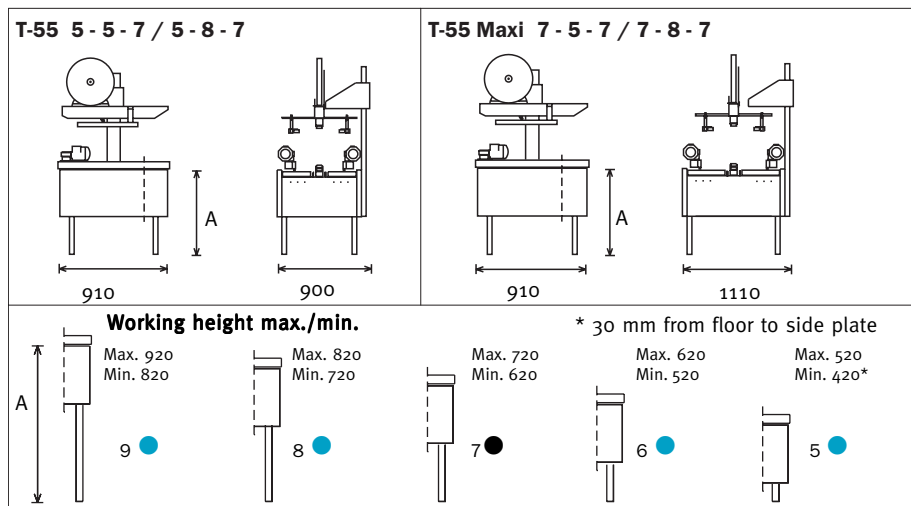
The automatic height and width adjustment makes the T-55 ideal on packaging lines where carton sizes vary, eg. in the dispatch department of warehouses. Two operators can work simultaneously on either side of the packaging table.

## High Quality Tape Dispensers

The thumbscrew of the tape roller hub makes tape replacement easy and, at the same time, ensures tape roller stability during the sealing process. Three dispenser types can be used for the T-55 series:

- 30 mm dispenser for tape ranging in width from 25-30 mm. The tape overlap is 50 mm.
- 50 mm dispenser for tape ranging in width from 38-50 mm. The tape overlap is either 50 mm or 70 mm.
- 75 mm dispenser for tape ranging in width from 50-75 mm. The tape overlap is 70 mm.

The T-55 can operate as a fully automatic top and bottom sealer provided the top flaps of the carton are closed by means of a control label or a small piece of tape.



All of SOCO SYSTEM's dispensers are fitted with an adjustable hub brake, adjustable tape roller hub, double roller units, knife guards etc.

All the dispensers can be fitted with a monitoring system to supervise the sealing process.

Data / Model	Carton Dimensions*				Tape overlap		Dispenser width			Capacity*	Side drives				Shipping carton dimensions			Weight KG.
	Length	Width	Height		70	50	25-30	38-50	50-75		50	80	50	80	Length	Width	Height	
<b>T-55 5-5-7</b>	Max. 510 Min. 95	∞	510 85	510 85	●	●	●	●	●	Max. 16/min.	●	●	●	●	1440	950	1440	165
<b>T-55 5-8-7</b>	Max. 510 Min. 95	∞	510 75	810 75	●	●	●	●	●	Max. 16/min.	●	●	●	●	1440	950	1440	165
<b>T-55 Maxi 7-5-7</b>	Max. 720 Min. 150	∞	720 115	510 115	●	●	●	●	●	Max. 16/min.	●	●	●	●	1440	1170	1440	170
<b>T-55 Maxi 7-8-7</b>	Max. 720 Min. 150	∞	720 220	810 220	●	●	●	●	●	Max. 16/min.	●	●	●	●	1440	1170	1440	170
<b>General</b>	Electrical equipment: 3x230/400 V 50-60 Hz or 3x415/460 V 50-60 Hz Connected load 0,3 Kw Other specifications available on demand.				Taperoller dimensions: Max. 385					 Max. 4-5 l at 6 bar per carton								

- Standard
- Optional

All measurements are in mm.  
Right to alter specifications reserved.

\* Depending on the quality, construction and size of the box.

## SOCO SYSTEM A/S

Helgeshøj Allé 16 D . DK-2630 Taastrup  
Tel. +45 43 52 55 66 . Fax +45 43 52 81 16  
info@socosystem.com  
www.socosystem.com